

# Ceiling type unit air cooler DLKT 432 flatline

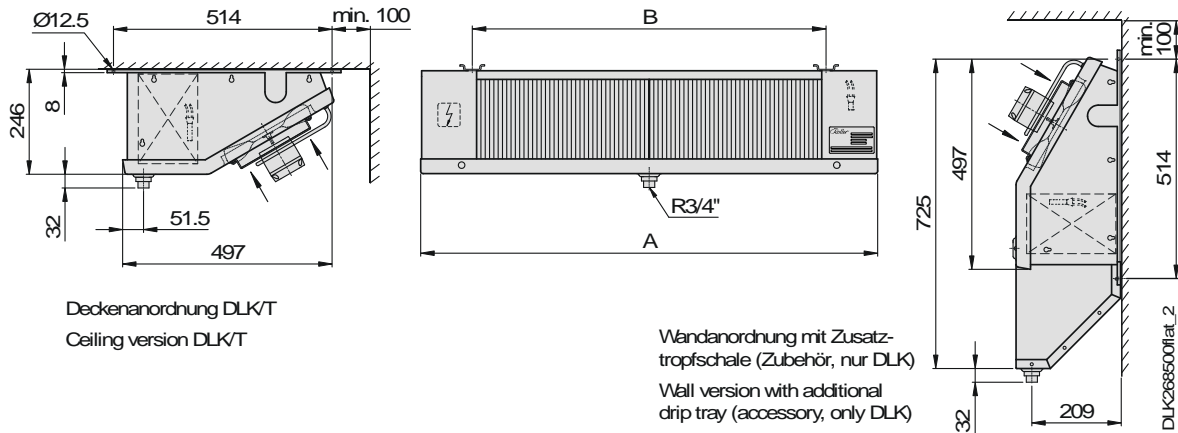
Location:

Walter Roller GmbH & Co.  
Lindenstraße 27-31  
D - 70839 Gerlingen  
Tel.: +49 (0)7156 2001 0  
Fax: +49 (0)7156 2001 26



successful products

Version 7 2.10.2013



Deckenanordnung DLK/T  
Ceiling version DLK/T

Wandanordnung mit Zusatz-  
tropfschale (Zubehör, nur DLK)  
Wall version with additional  
drip tray (accessory, only DLK)

## Dimensions, Tube vol., Weight

Dimensions								Tube vol. [dm <sup>3</sup> ]	Weight [kg]	Connections	
A [mm]	B [mm]	C [mm]	D [mm]	E [mm]	F [mm]	G [mm]	H [mm]			Inlet Ø [mm]	Outlet Ø [mm]
1462	1222							3.40	27	12.0 #	18.0

#: Multiple injection

## Electrical loads

No.	Blade Ø [mm]	Power supply [ V, Hz ]	Input capacity [W]	Current [ A ]	No. of revolutions [ min <sup>-1</sup> ]	Electric defrost heating			El. airconditioning	
						Coil [W]	Drain pan [W]	Total [W]	[W]	Total [W]
2	250-34 D	~230 V 50/60 Hz	31	0,24	1400	1x1000	1x1000	2000		

## Capacity data

	Refrige- rant	Input capacity Q <sub>0</sub> [kW]	Evapora- tion t <sub>0</sub> [°C]	Air inlet t <sub>A1</sub> [°C]	DT1 [K]	Surface [m <sup>2</sup> ]	Air capacity [m <sup>3</sup> /h]	Air throw [m]	Sound power [ dB(A) ]	Fin Spacing [mm]
Given	R404A	2.60	-6.0		6.0					4
Result	R404A	2.50	-6.0	0.0	6.0	17.0	1700	8	70	4.0

## Prices and accessories

DLKT 432	

Price per unit:

incl. material surcharges, without VAT